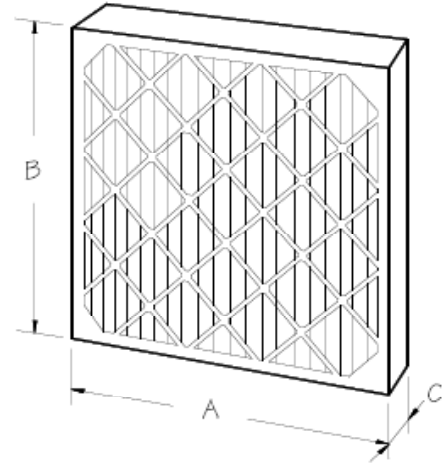


# Clean air...it's what we do

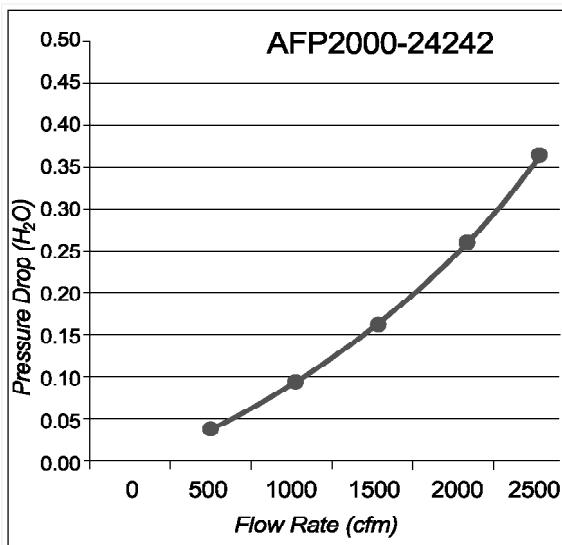


## Specifications

- Frame: 26 point high wet strength clay-coated kraft board.
- Media: 100% synthetic fibers, water and bacteria resistant.
- Media bonded to frame using water resistant adhesive.
- Media bonded to expanded metal support grid using water resistant adhesive.
- Efficiency: 25-30% per ASHRAE 52.1; MERV 7-8 per ASHRAE 52.2
- UL 900: Class 2

Pleat - 2" Nominal Depth, Standard Capacity

Model Number	Width "A"	Height "B"	Depth "C"
AFP2000-5502-C	24-1/2"	24-1/2"	1-3/4"
AFP2000-4402-C	23-3/8"	23-3/8"	1-3/4"
AFP2000-0502-C	19-1/2"	24-1/2"	1-3/4"
AFP2000-0402-C	19-1/2"	23-3/8"	1-3/4"
AFP2000-0002-C	19-1/2"	19-1/2"	1-3/4"
AFP2000-8502-C	17-3/8"	24-1/2"	1-3/4"
AFP2000-8402-C	17-3/8"	23-3/8"	1-3/4"
AFP2000-6502-C	15-1/2"	24-1/2"	1-3/4"
AFP2000-6002-C	15-1/2"	19-1/2"	1-3/4"
AFP2000-2402-C	11-3/8"	23-3/8"	1-3/4"
AFP2000-2002-C	11-3/8"	19-1/2"	1-3/4"



PO Box 2205 Ph: 919-718-5818  
 Sanford, NC 27331 Fax: 919-718-5819  
 info@airscrubbersinc.com

**Pleated Filter, 2" Nominal Depth**  
**Standard Capacity, 25-30%, MERV 7-8**  
**Carbon Impregnated**

Date 01/02/10

Model

Revision

**AFP2000-2-C**