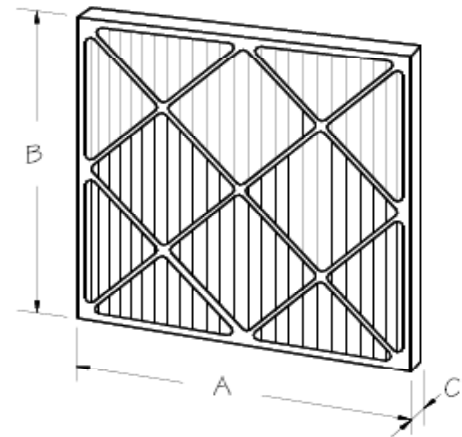


Clean air...it's what we do



Specifications

Frame: 26 point high wet strength clay-coated kraft board.

Media: 100% synthetic fibers, water and bacteria resistant.

Media bonded to frame using water resistant adhesive.

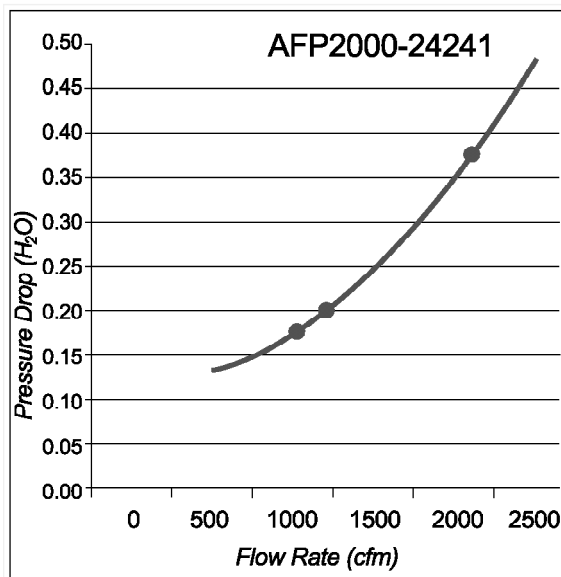
Media bonded to expanded metal support grid using water resistant adhesive.

Efficiency: 25-30% per ASHRAE 52.1; MERV 7-8 per ASHRAE 52.2

UL 900: Class 2

Pleat - 1" Nominal Depth, Standard Capacity

Model Number	Width "A"	Height "B"	Depth "C"
AFP2000-5501	24-1/2"	24-1/2"	3/4"
AFP2000-4401	23-3/8"	23-3/8"	3/4"
AFP2000-0501	19-1/2"	24-1/2"	3/4"
AFP2000-0401	19-1/2"	23-3/8"	3/4"
AFP2000-0001	19-1/2"	19-1/2"	3/4"
AFP2000-8501	17-3/8"	24-1/2"	3/4"
AFP2000-8401	17-3/8"	23-3/8"	3/4"
APF2000-6501	15-1/2"	24-1/2"	3/4"
AFP2000-6001	15-1/2"	19-1/2"	3/4"
AFP2000-2401	11-3/8"	23-3/8"	3/4"
AFP2000-2001	11-3/8"	19-1/2"	3/4"



PO Box 2205 Ph: 919-718-5818
 Sanford, NC 27331 Fax: 919-718-5819
 info@airscrubbersinc.com

**Pleated Filter, 1" Nominal Depth
 Standard Capacity, 25-30%
 MERV 7-8**

Date 01/02/10

Revision

Model

AFP2000-1