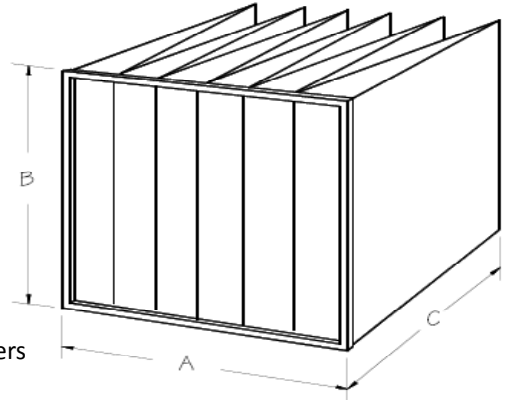


Clean air...it's what we do



Specifications

Media: 100% Synthetic Polypropylene Microfiber
 Pockets: Ultrasonically Welded Seams & Edges
 Pocket Flutes: Ultrasonically Welded Support Spacers
 Header: Electro-Galvanized Metal Header and "J" Style Media Retainers
 Gasket Location: Upstream, downstream, both sides
 Efficiency: 90-95% per ASHRAE 52.1; MERV 14 per ASHRAE 52.2
 UL 900: Class 2 (standard)

Bag 95% - 6 Pocket

Model Number	Width "A"	Height "B"	Depth "C"	Number of Pockets	Air Flow Capacity (cfm)	Initial Resistance (w.g.)
AFB695S-4430	23-3/8"	23-3/8"	30"	6	1500	.36
AFB695S-4426	23-3/8"	23-3/8"	26"	6	1500	.38
AFB695S-4422	23-3/8"	23-3/8"	22"	6	1250	.36
AFB695S-4415	23-3/8"	23-3/8"	15"	6	750	.36
AFB595S-0430	19-3/8"	23-3/8"	30"	5	1250	.36
AFB595S-0426	19-3/8"	23-3/8"	26"	5	1250	.38
AFB595S-0422	19-3/8"	23-3/8"	22"	5	1050	.36
AFB595S-0415	19-3/8"	23-3/8"	15"	5	625	.36
AFB395S-2430	11-3/8"	23-3/8"	30"	3	750	.36
AFB395S-2426	11-3/8"	23-3/8"	26"	3	750	.38
AFB395S-2422	11-3/8"	23-3/8"	22"	3	625	.36
AFB395S-2415	11-3/8"	23-3/8"	15"	3	375	.36

Options:

- GU Gasket Upstream
- GD Gasket Downstream
- GS Gasket Sides
- 1 UL 900, Class 1

Example with options is AFB695S-4430-GU-1



PO Box 2205 Ph: 919-718-5818
 Sanford, NC 27331 Fax: 919-718-5819
 info@airscrubbersinc.com

Bag 95%, MERV 14,
6 Pocket

Date
01/02/10

Model

Revision

AFB695S