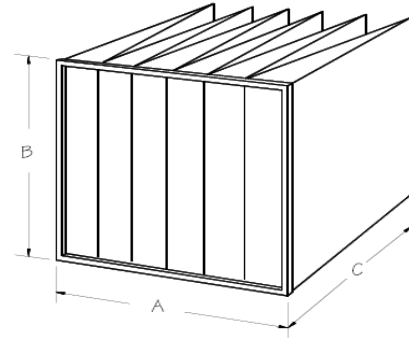


# Clean air...it's what we do



## Specifications

Media: 100% Synthetic Polypropylene Microfiber  
 Pockets: Ultrasonically Welded Seams & Edges  
 Pocket Flutes: Ultrasonically Welded Support Spacers  
 Header: Electro-Galvanized Metal Header and "J" Style Media Retainers  
 Gasket Location: Upstream, downstream, both sides  
 Efficiency: 60-65% per ASHRAE 52.1; MERV 11 per ASHRAE 52.2  
 UL 900: Class 2 (standard)

### Bag 65% - 6 Pocket

Model Number	Width "A"	Height "B"	Depth "C"	Number of Pockets	Air Flow Capacity (cfm)	Initial Resistance (w.g.)
AFB665S-4430	23-3/8"	23-3/8"	30"	6	1500	.21
AFB665S-4426	23-3/8"	23-3/8"	26"	6	1500	.22
AFB665S-4422	23-3/8"	23-3/8"	22"	6	1250	.21
AFB665S-4415	23-3/8"	23-3/8"	15"	6	750	.21
AFB565S-0430	19-3/8"	23-3/8"	30"	5	1250	.21
AFB565S-0426	19-3/8"	23-3/8"	26"	5	1250	.22
AFB565S-0422	19-3/8"	23-3/8"	22"	5	1050	.21
AFB565S-0415	19-3/8"	23-3/8"	15"	5	625	.21
AFB365S-2430	11-3/8"	23-3/8"	30"	3	750	.21
AFB365S-2426	11-3/8"	23-3/8"	26"	3	750	.22
AFB365S-2422	11-3/8"	23-3/8"	22"	3	625	.21
AFB365S-2415	11-3/8"	23-3/8"	15"	3	375	.21

### Options:

- GU Gasket Upstream
- GD Gasket Downstream
- GS Gasket Sides
- 1 UL 900, Class 1

Example with options is AFB665S-4430-GU-1



PO Box 2205 Ph: 919-718-5818  
 Sanford, NC 27331 Fax: 919-718-5819  
 info@airscrubbersinc.com

Bag 65%, MERV 11,  
6 Pocket

Date  
01/02/10

Revision

Model

**AFB665S**