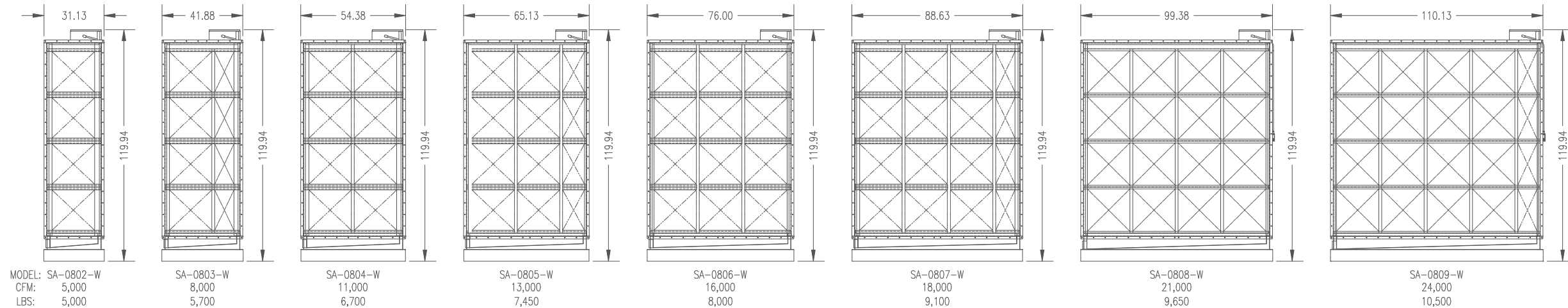
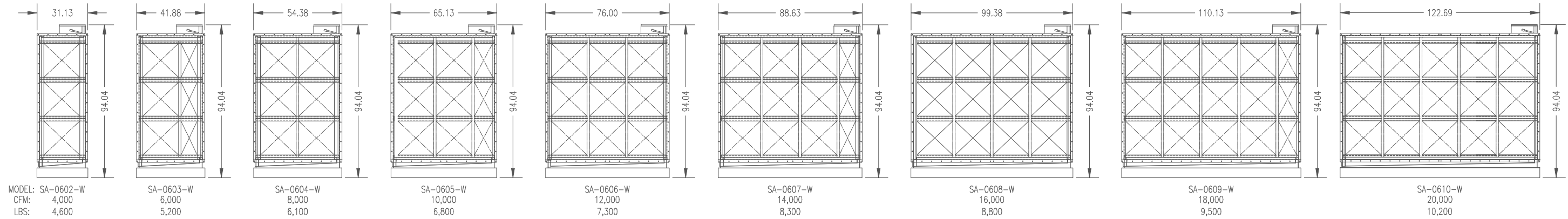
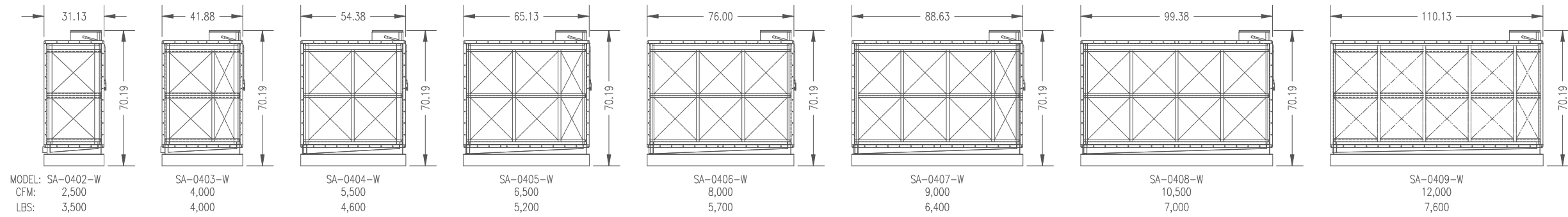
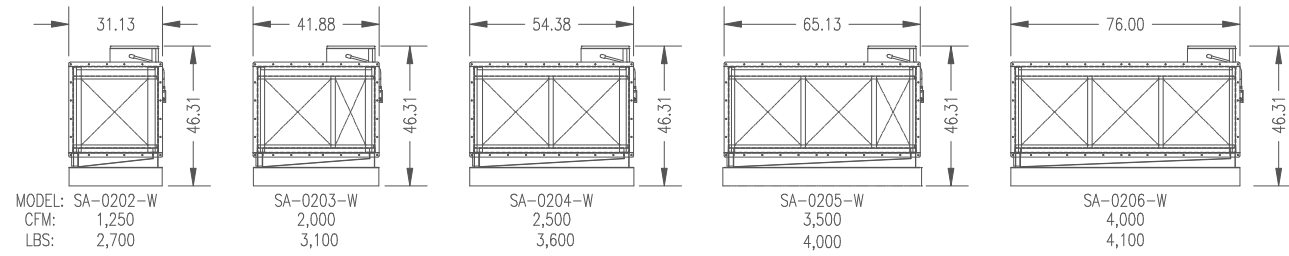


POWER CLEAN MODEL NUMBER DEVELOPMENT

EXAMPLE: MODEL SA-YYXX-W-SF-C-B

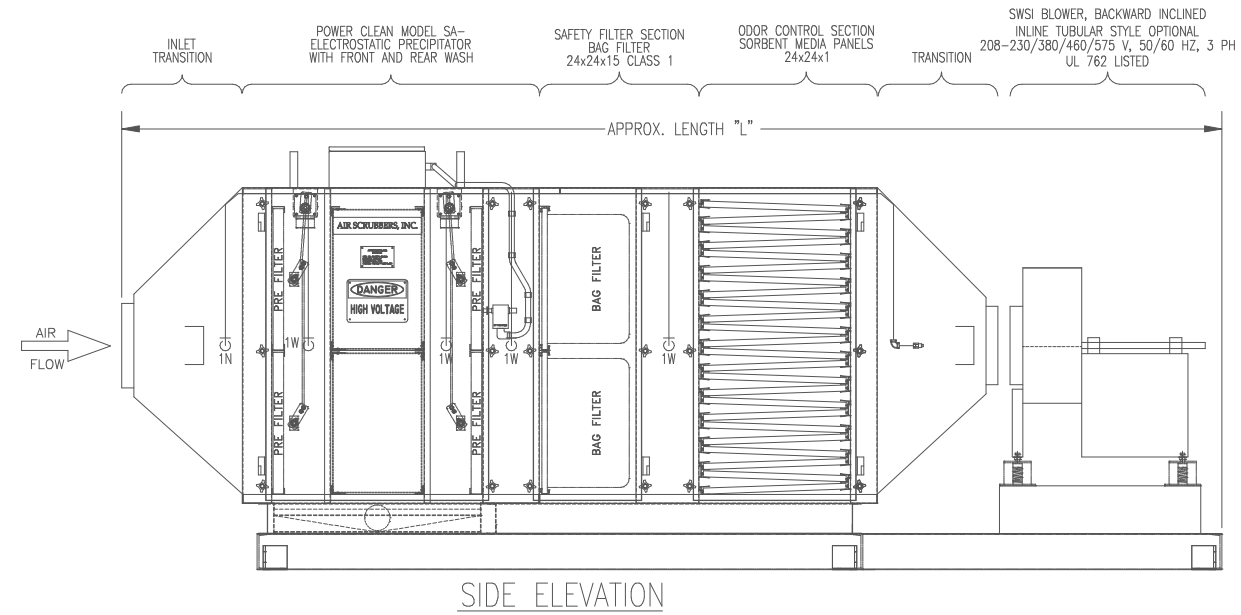
- SA: SIDE ACCESS HOUSING
- YY: NOMINAL UNIT HEIGHT IN FEET
- XX: NOMINAL UNIT WIDTH IN FEET
- W: WATER/DETERGENT WASH
- SF: SAFETY FILTER (OPTIONAL)
- C: TECHSORB ACTIVATED CARBON (OPTIONAL)
- B: EXHAUST BLOWER (OPTIONAL)



INLET/AIR ENTERING ELEVATION

INLET TRANSITION REMOVED

REFER TO POWER CLEAN BROCHURE PB-18031108 FOR COMPLETE PRODUCT INFORMATION.



MODEL NO.	APPROX. LENGTH "L"
SA-02XX	196"
SA-04XX	224"
SA-06XX	240"
SA-08XX	258"

REV.	DESCRIPTION	DATE	APPR.
CUSTOMER: _____			
CUSTOMER ORDER NO: _____			
ASI ORDER NO: _____			
AIR SCRUBBERS, INC. SANFORD, NORTH CAROLINA			
DR: WTW	DATE: 03/03/08	UNLESS OTHERWISE SPECIFIED DIMENSIONS ARE IN INCHES	
CK: WTW	DATE: 03/03/08	TOLERANCES ON FRACTIONS .XXX	
APPR: WTW	DATE: 03/03/08	DECIMALS _____	
SCALE: 1=1		ANGLE _____	

THIS DRAWING AND THE INFORMATION CONTAINED THEREON IS THE PROPERTY OF AIR SCRUBBERS, INC. AND CANNOT BE REPRODUCED IN WHOLE OR IN PART, NOR DELIVERED TO OTHERS WITHOUT THE EXPRESSED WRITTEN PERMISSION OF AIR SCRUBBERS, INC.

TITLE: POWER CLEAN KITCHEN EXHAUST AIR POLLUTION CONTROL SYSTEM MODEL DEVELOPMENT	DRAWING NO. 421582
SH. 1	REV. _____
OF 1	---